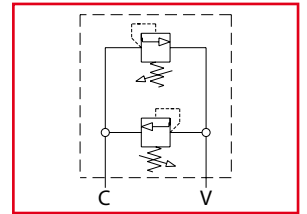




# DCA

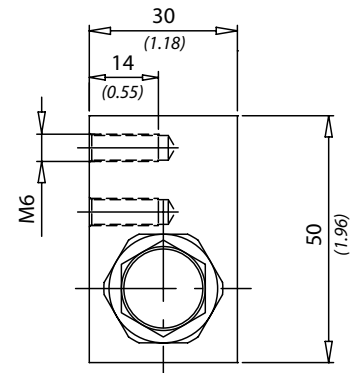
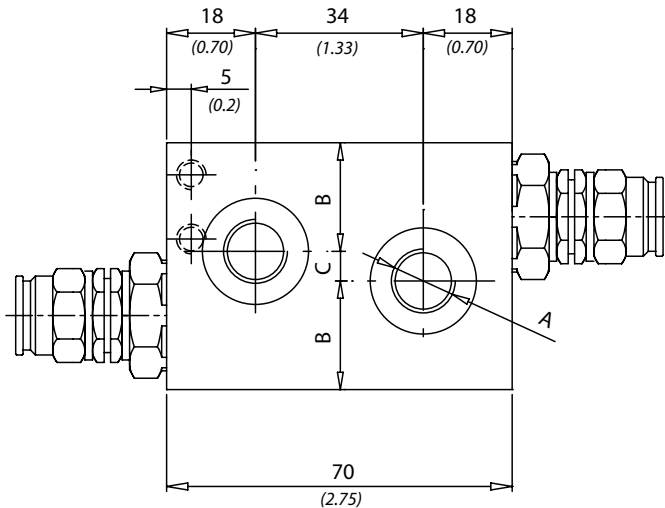
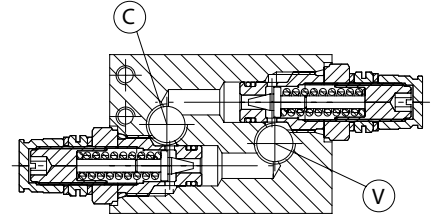
Valvole antiurto doppie incrociate  
Double cross line direct acting relief valves



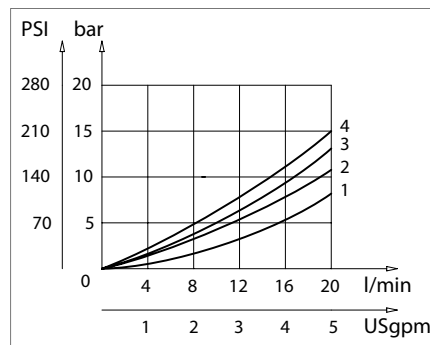
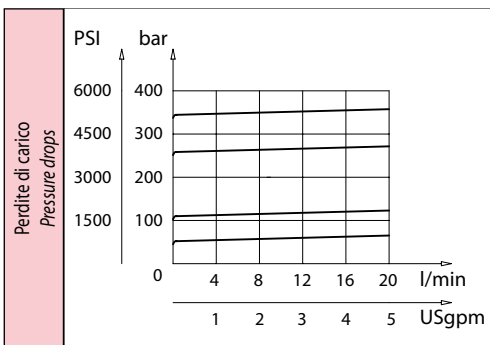
**LEHENGOMAK, S. A.**



| Dati tecnici<br>Technical data              |                                                            |
|---------------------------------------------|------------------------------------------------------------|
| Viscosità fluido<br>Fluid viscosity         | 10-500 mm <sup>2</sup> /s<br>45 to 2000 ssu (6 to 420 cSt) |
| Classe di contaminazione<br>Filtration      | ISO code 16/13<br>SAE class 4 or better                    |
| Temperatura fluido<br>Fluid temperature     | -20°C +80°C<br>-4°F +176°F                                 |
| Temperatura ambiente<br>Ambient temperature | -20°C +50°C<br>-4°F +122°F                                 |



mm  
(Inches)



| Caratteristiche tecniche<br>Technical performances |          |                                          |                                          |           |           |                                                 |                               |
|----------------------------------------------------|----------|------------------------------------------|------------------------------------------|-----------|-----------|-------------------------------------------------|-------------------------------|
| Codice<br>Code                                     | A        | Portata Max<br>Max flow<br>l/min - USgpm | Pressione Max<br>Max pressure<br>bar/PSI | B         | C         | Peso approssimativo<br>Approx weight<br>Kg / lb | Valvola tipo<br>Type of valve |
| DCA140                                             | BSPP1/4  | 20 (5.3)                                 | 350 (5000)                               | 22 (0.87) | 6 (0.24)  | 0,8 (1.8)                                       | VMD1                          |
| DCA380                                             | BSPP 3/8 |                                          |                                          | 20 (0.79) | 10 (0.39) |                                                 |                               |

| Codice ordinazione<br>Ordering code |                   |   |                        |
|-------------------------------------|-------------------|---|------------------------|
| <b>DCA - X - Y</b>                  |                   |   |                        |
| X                                   | Dimensione / Size | Y | Molla / Spring         |
| 140                                 | BSPP 1/4          | 1 | 40 bar (580 PSI) max   |
|                                     |                   | 2 | 110 bar (1600 PSI) max |
| 380                                 | BSPP 3/8          | 3 | 250 bar (3600 PSI) max |
|                                     |                   | 4 | 350 bar (5000 PSI) max |